

**AW.10.16/P**

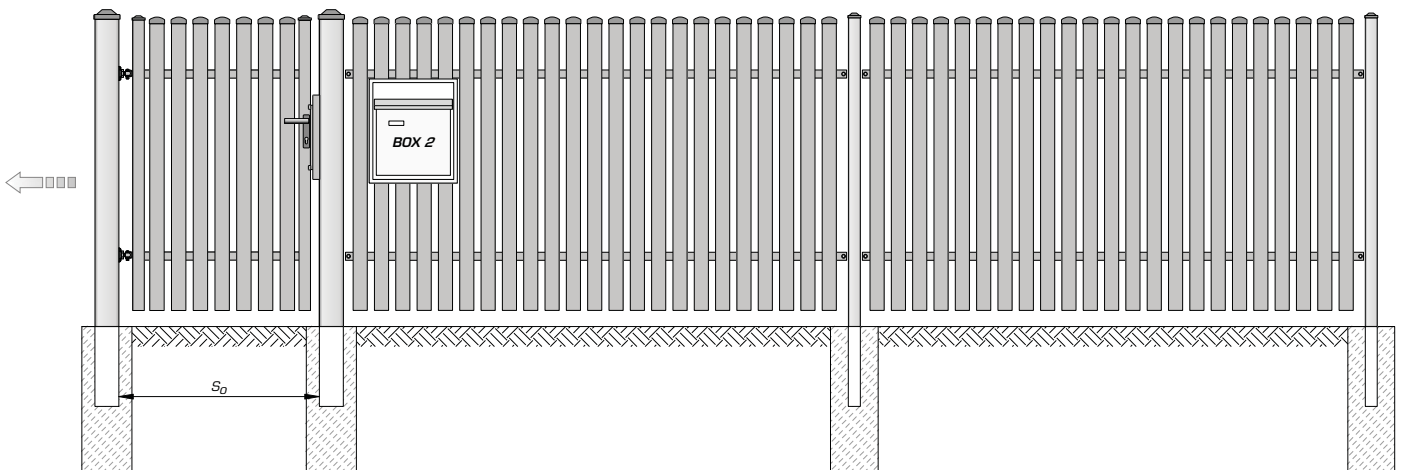
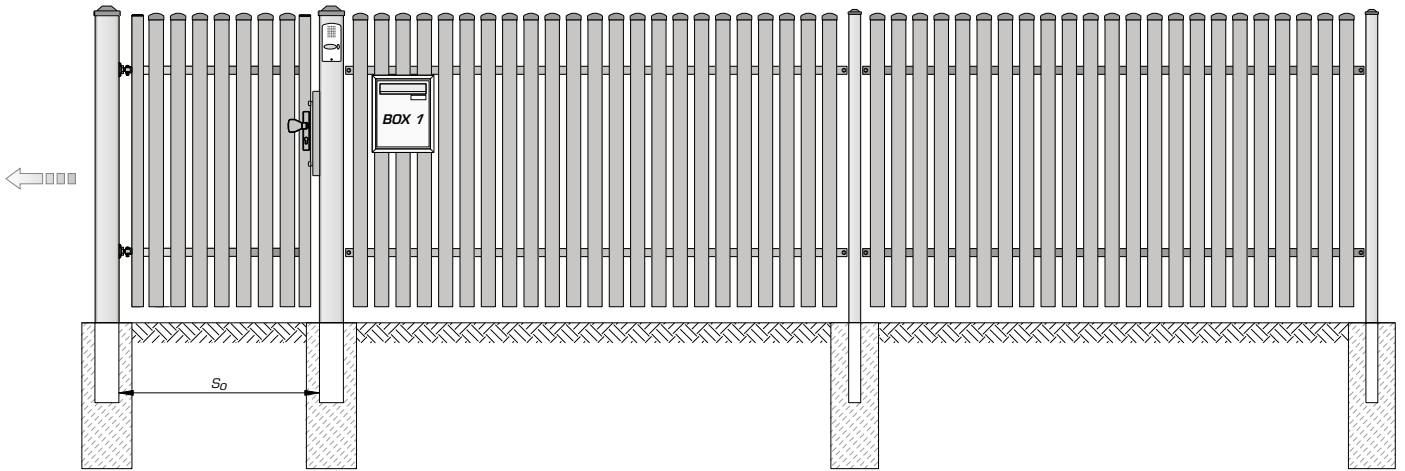
(S) 2500 [mm] x (H) 900 [mm] - 47 kg	(S) 3000 [mm] x (H) 1200 [mm] - 69 kg
(S) 2500 [mm] x (H) 1200 [mm] - 57 kg	(S) 3000 [mm] x (H) 1450 [mm] - 81 kg
(S) 2500 [mm] x (H) 1450 [mm] - 67 kg	
max: (S) 3000 [mm] x (H) 1750 [mm]	

$H \geq 1000$ : a=250, b=300, $H_{min}=800$	$800 \leq H < 1000$ : a=250, b=200, $H_{min}=800$
---	---

**AW.10.16/Wp**

(S) 2500 [mm] x (H) 900 [mm] - 44 kg	(S) 3000 [mm] x (H) 1200 [mm] - 66 kg
(S) 2500 [mm] x (H) 1200 [mm] - 54 kg	(S) 3000 [mm] x (H) 1450 [mm] - 78 kg
(S) 2500 [mm] x (H) 1450 [mm] - 64 kg	
max: (S) 3000 [mm] x (H) 1750 [mm]	

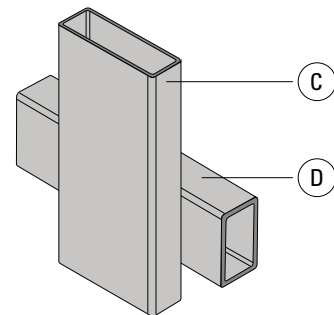
$H \geq 1100$ : a=350, b=300, c=175, $H_{min}=900$	$900 \leq H < 1100$ : a=350, b=200, c=175, $H_{min}=900$
--	--



AW.10.16/Wk

(S) 2500 [mm] x (H) 900 [mm] - 44 kg	(S) 3000 [mm] x (H) 1200 [mm] - 66 kg
(S) 2500 [mm] x (H) 1200 [mm] - 54 kg	(S) 3000 [mm] x (H) 1450 [mm] - 78 kg
(S) 2500 [mm] x (H) 1450 [mm] - 64 kg	
max: (S) 3000 [mm] x (H) 1750 [mm]	

$H \geq 1100$  :  $a=350$ ,  $b=300$ ,  $c=175$ ,  $H_{min}=900$      $900 \leq H < 1100$  :  $a=350$ ,  $b=200$ ,  $c=175$ ,  $H_{min}=900$



**U1**    **C** 70x20    **D** 40x27