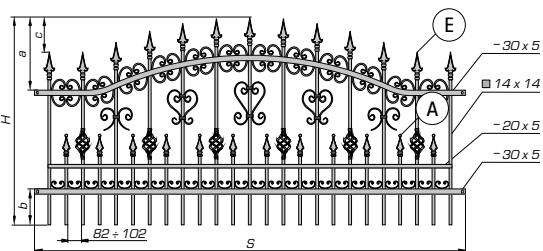


AW.10.31/Wp

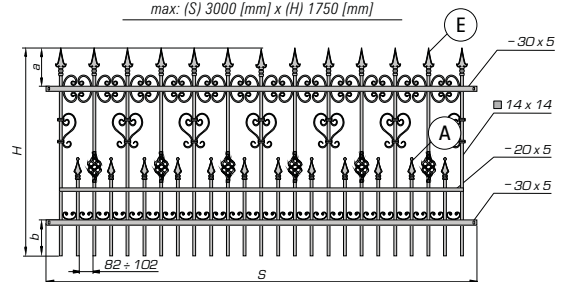
(S) 2500 [mm] x (H) 1200 [mm] - 67 kg (S) 2500 [mm] x (H) 1450 [mm] - 75 kg
max: (S) 3000 [mm] x (H) 1750 [mm]



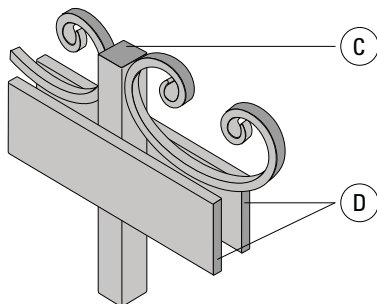
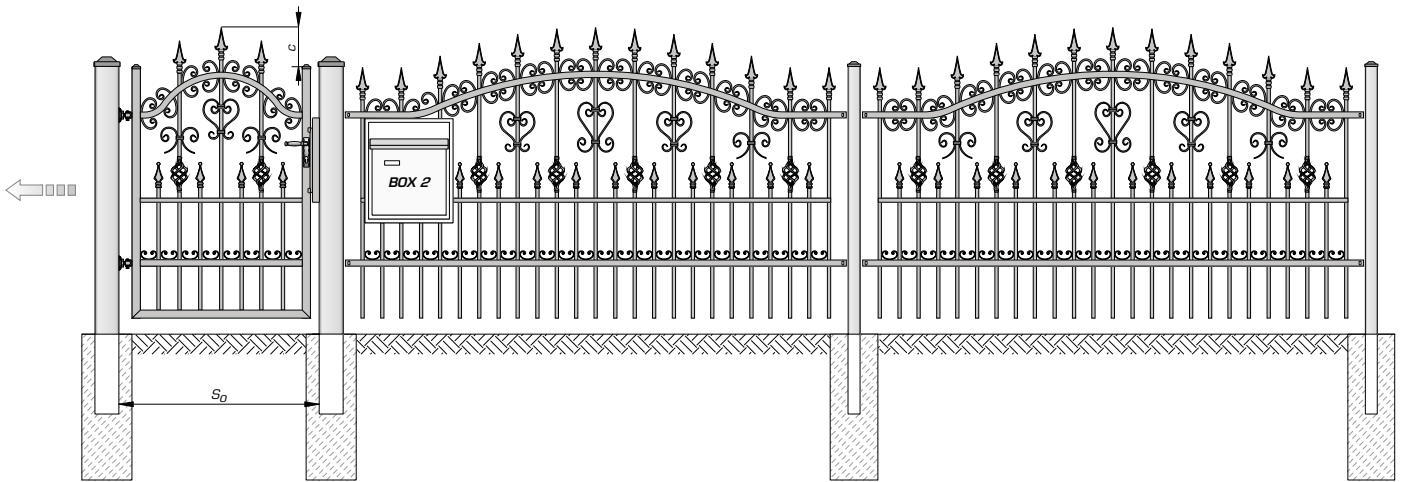
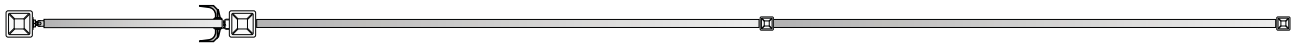
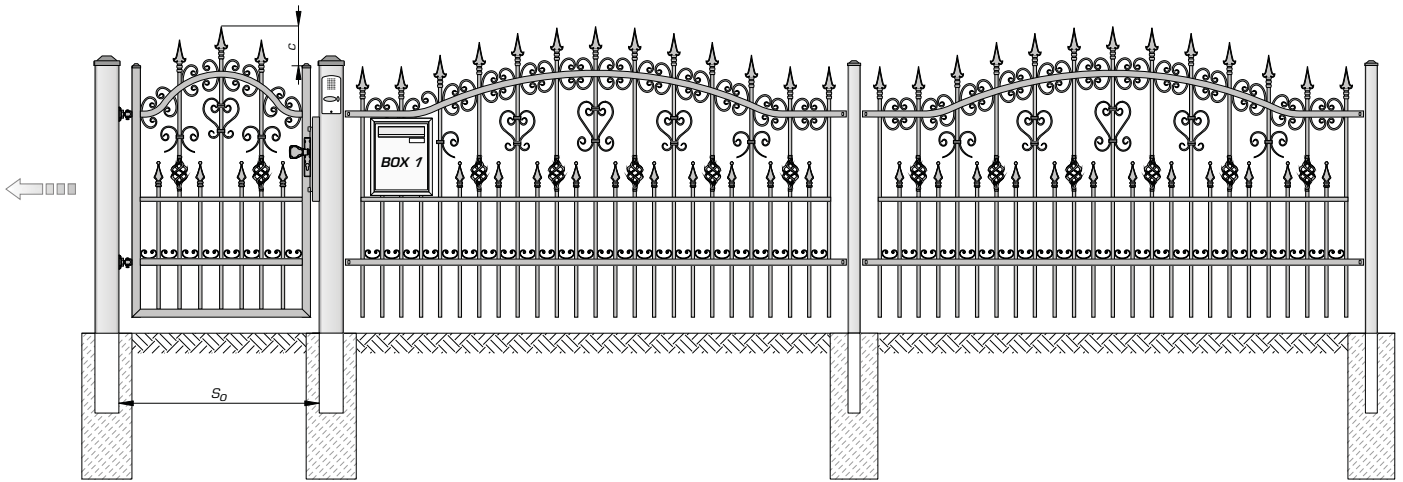
H=1450 : a=420, b=300, c=200, H_{min}=1000 H=1200 : a=420, b=100÷300, c=200, H_{min}=1000

AW.10.31/P

(S) 2500 [mm] x (H) 1200 [mm] - 70 kg (S) 2500 [mm] x (H) 1450 [mm] - 78 kg
max: (S) 3000 [mm] x (H) 1750 [mm]



H=1450 : a=220, b=300, H_{min}=1000 H=1200 : a=220, b=100÷300, H_{min}=1000



U3 **C** 14 x 14 **D** 30 x 5