

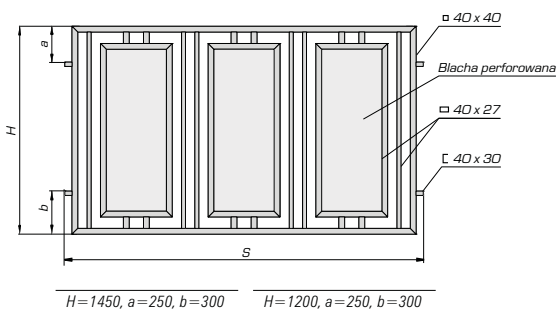
AW.10.102/P

(S) 2500 [mm] x (H) 900 [mm] - ... kg

(S) 2500 [mm] x (H) 1450 [mm] - ... kg

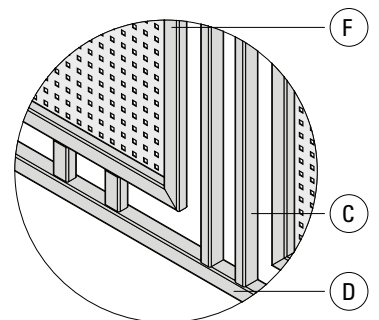
(S) 2500 [mm] x (H) 1200 [mm] - ... kg

max: (S) 3000 [mm] x (H) 1750 [mm]

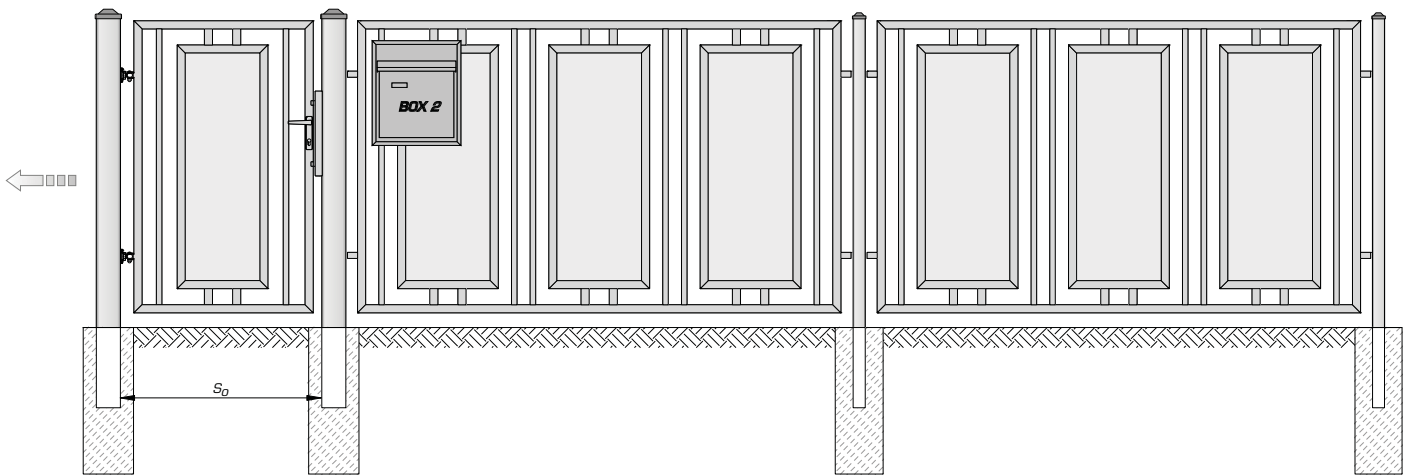
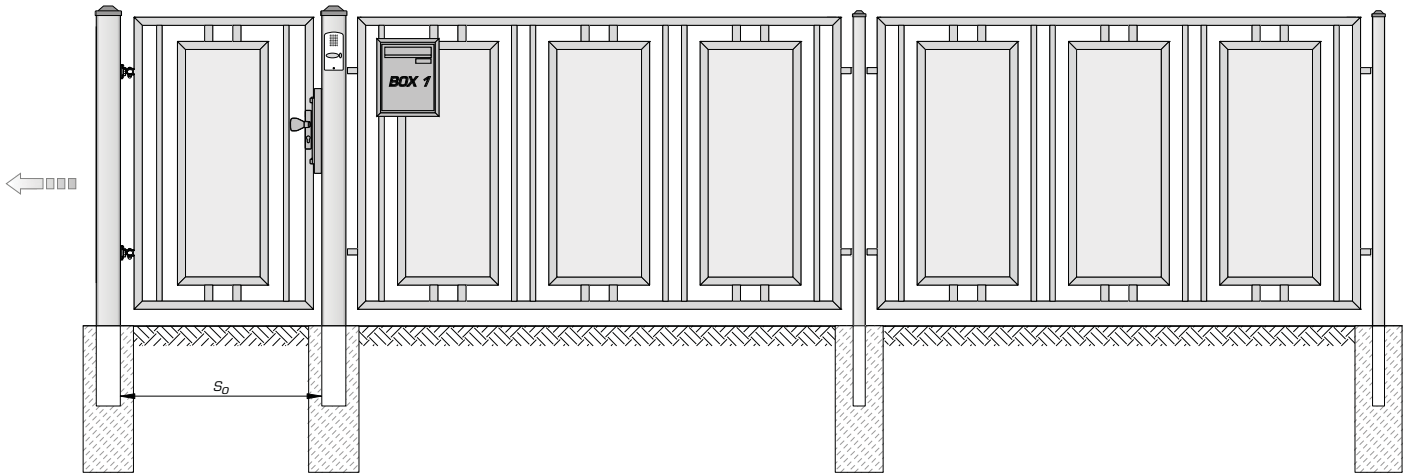


H=1450, a=250, b=300

H=1200, a=250, b=300

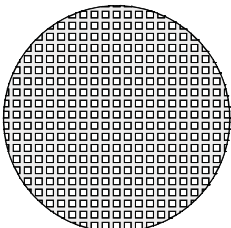
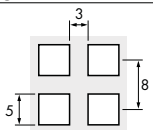


**U1**   **C** 40x40   **D** 40x27   **F** 40x27

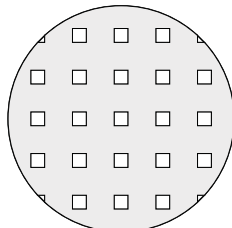
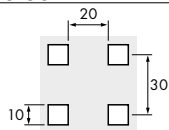


PL **Blacha perforowana**

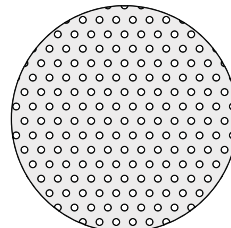
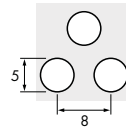
Qg 5-8



Qg 10-30



Rv 5-8



Oz 10-16

