

**AW.10.82/P**

(S) 2500 [mm] x (H) 900 [mm] - xx kg	(S) 2500 [mm] x (H) 1450 [mm] - xx kg
(S) 2500 [mm] x (H) 1200 [mm] - xx kg	(S) 2500 [mm] x (H) 1750 [mm] - xx kg

max: (S) 2700 [mm] x (H) 1450 [mm]

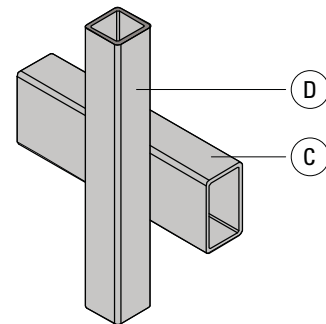
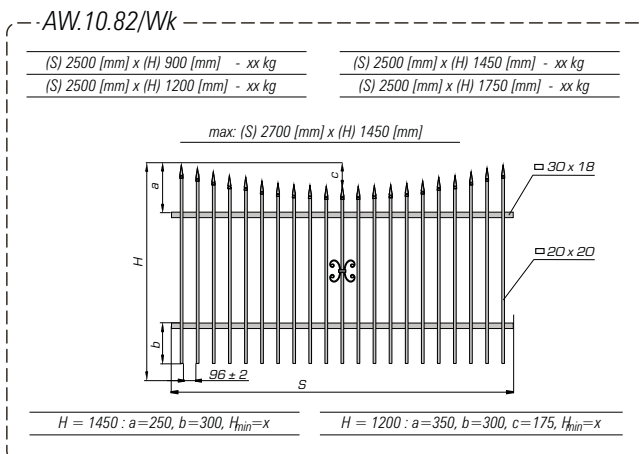
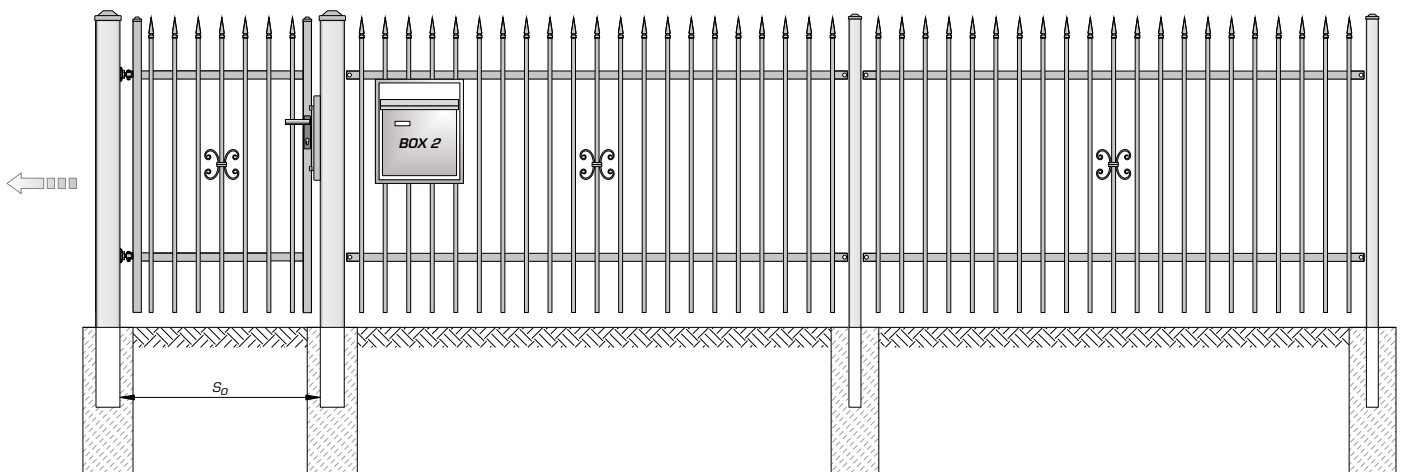
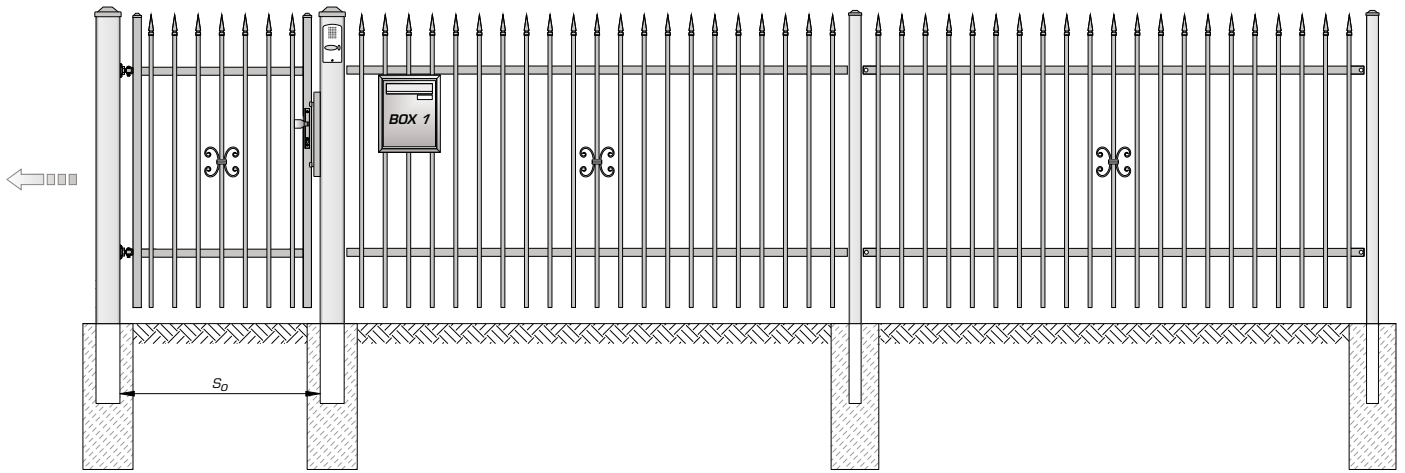
H = 1450 : a=250, b=300, H <sub>min</sub> =x	H = 1200 : a=250, b=300, H <sub>min</sub> =x
--	--

**AW.10.82/Wp**

(S) 2500 [mm] x (H) 900 [mm] - xx kg	(S) 2500 [mm] x (H) 1450 [mm] - xx kg
(S) 2500 [mm] x (H) 1200 [mm] - xx kg	

max: (S) 2700 [mm] x (H) 1450 [mm]

H = 1450 : a=250, b=300, H <sub>min</sub> =x	H = 1200 : a=250, b=300, H <sub>min</sub> =x
--	--



**U1** **C** 30x18 **D** 20x20