

AW.10.63/Wp

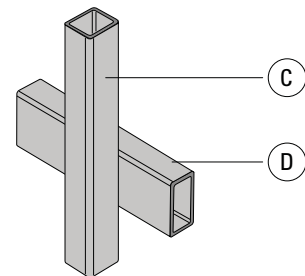
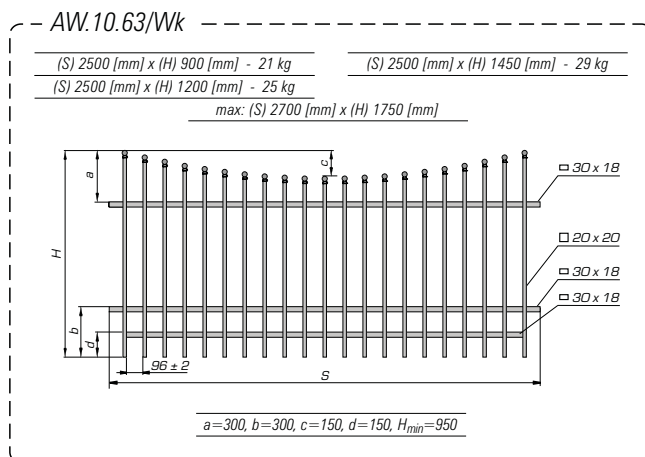
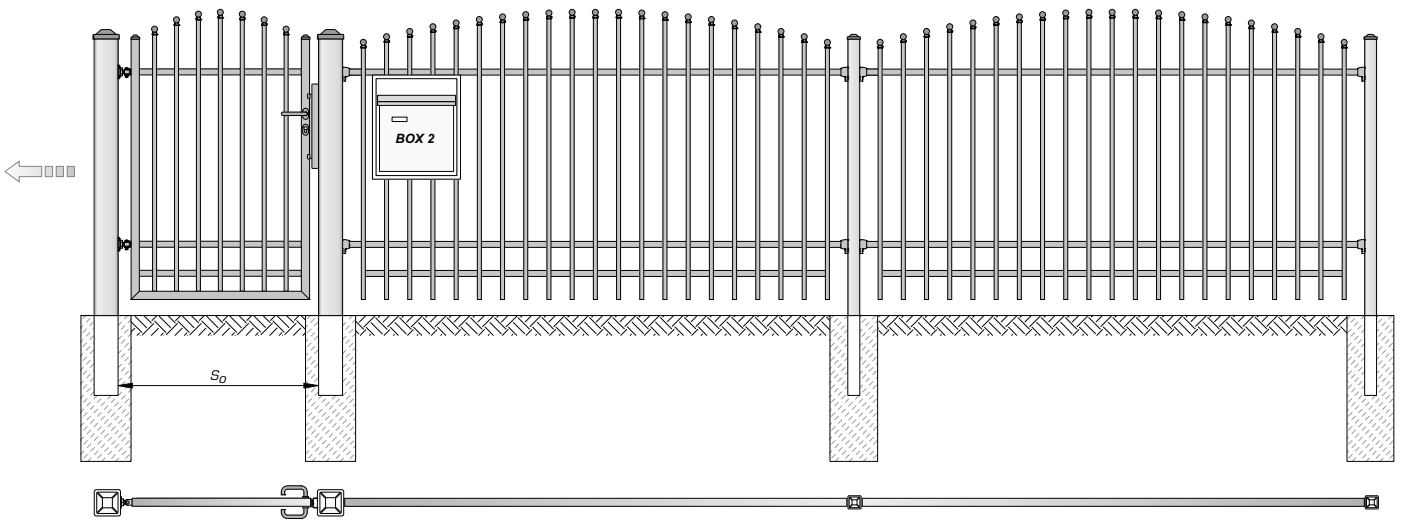
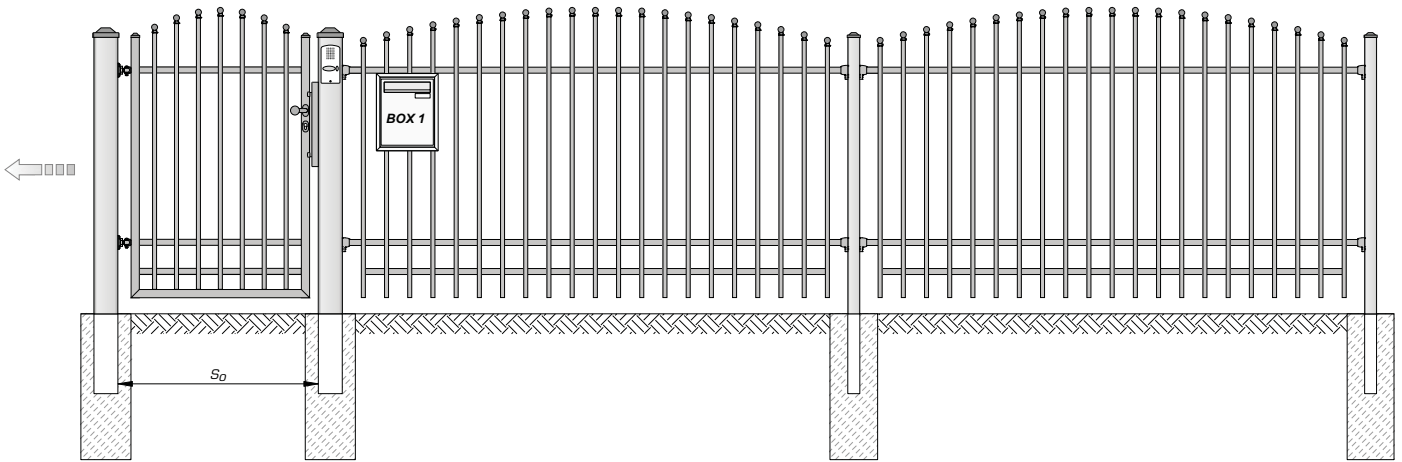
(S) 2500 [mm] x (H) 900 [mm] - 21 kg	(S) 2500 [mm] x (H) 1450 [mm] - 29 kg
(S) 2500 [mm] x (H) 1200 [mm] - 25 kg	
max: (S) 2700 [mm] x (H) 1750 [mm]	

$a=300, b=300, c=150, d=150, H_{min}=950$

AW.10.63/P

(S) 2500 [mm] x (H) 900 [mm] - 22 kg	(S) 2500 [mm] x (H) 1450 [mm] - 30 kg
(S) 2500 [mm] x (H) 1200 [mm] - 26 kg	
max: (S) 2700 [mm] x (H) 1600 [mm]	

$a=150, b=300, d=150, H_{min}=800$



U6 **C** 20x20 **D** 30x18