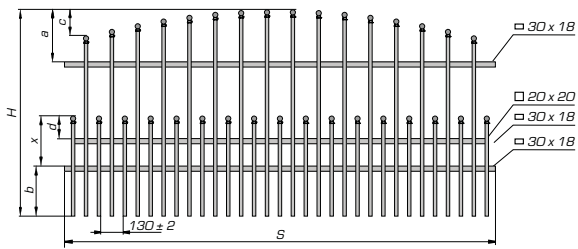


AW.10.65/Wp

(S) 2500 [mm] x (H) 950 [mm] - 23 kg (S) 2500 [mm] x (H) 1450 [mm] - 31 kg
(S) 2500 [mm] x (H) 1200 [mm] - 28 kg

max: (S) 2700 [mm] x (H) 1750 [mm]

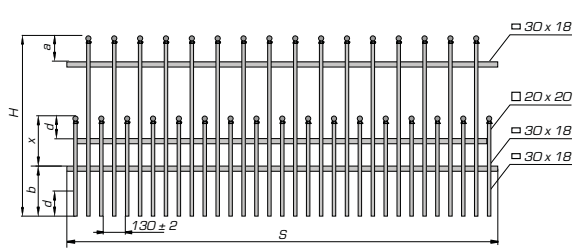


$a=300, b=300, c=150, d=150, x=300, H_{min}=950$

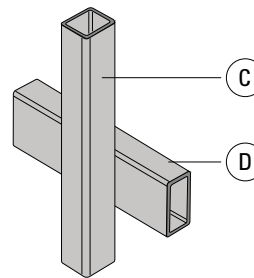
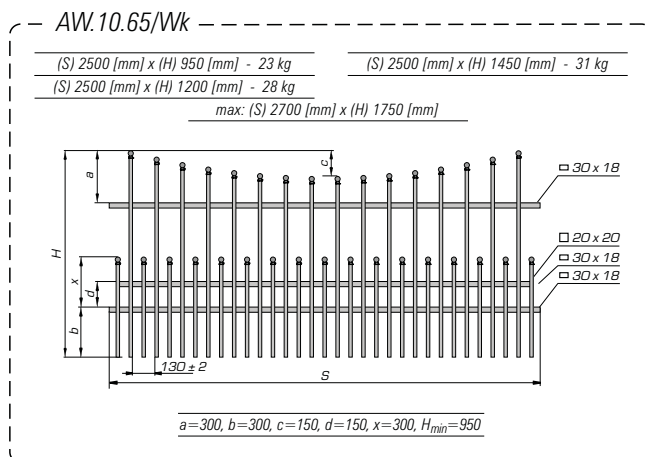
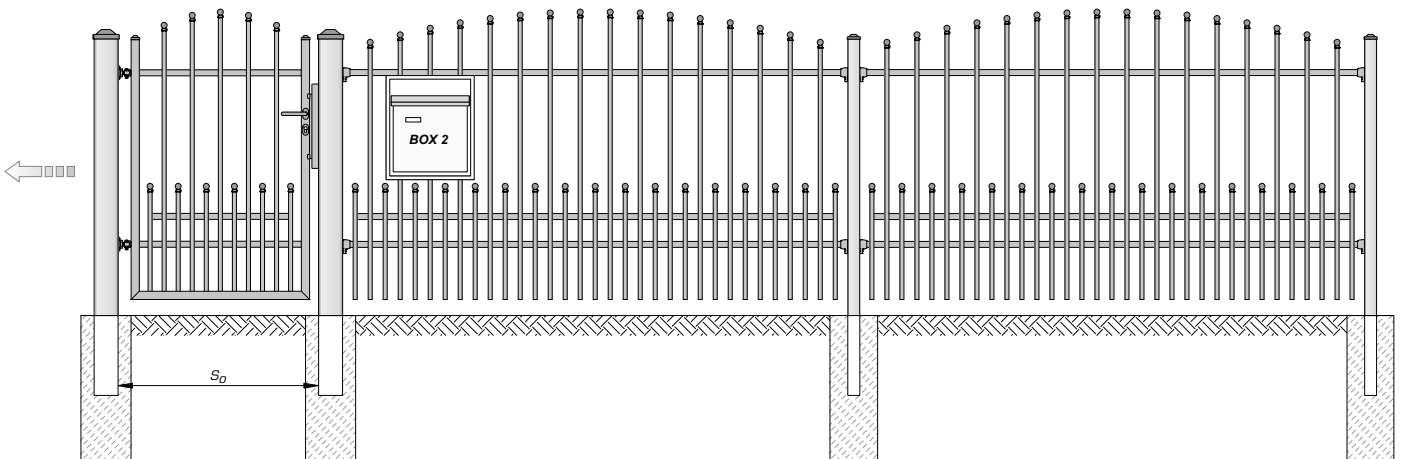
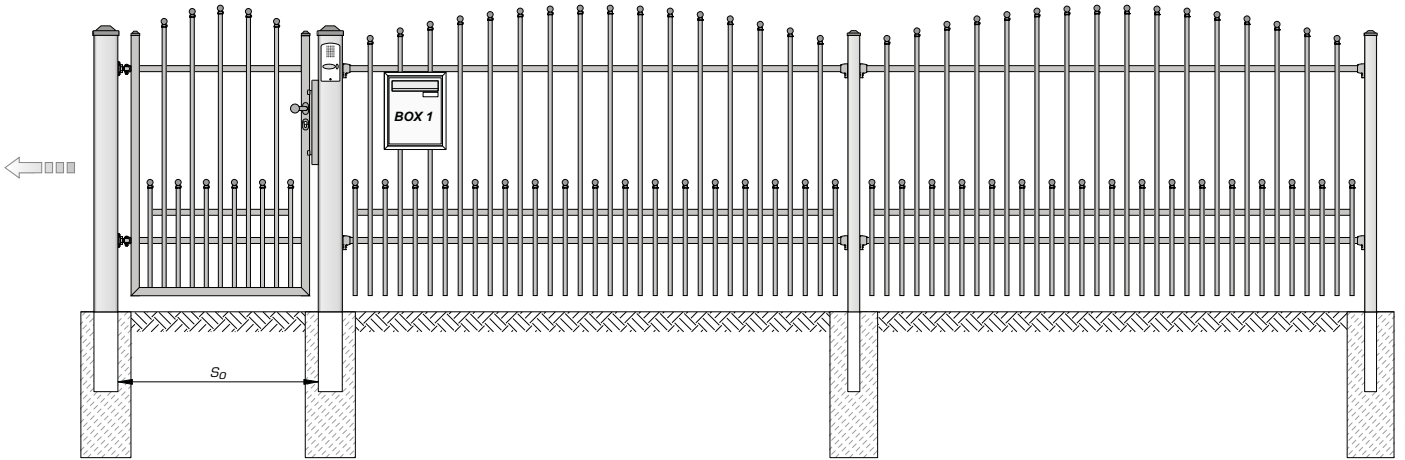
AW.10.65/P

(S) 2500 [mm] x (H) 900 [mm] - 24 kg (S) 2500 [mm] x (H) 1450 [mm] - 32 kg
(S) 2500 [mm] x (H) 1200 [mm] - 29 kg

max: (S) 2700 [mm] x (H) 1600 [mm]



$a=150, b=300, d=150, x=300, H_{min}=800$



U6 C 20x20 D 30x18

