

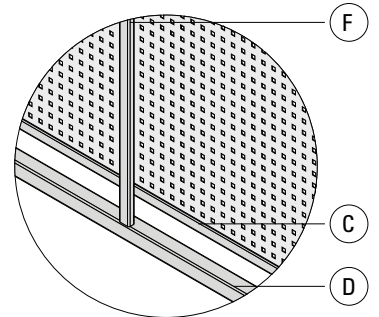
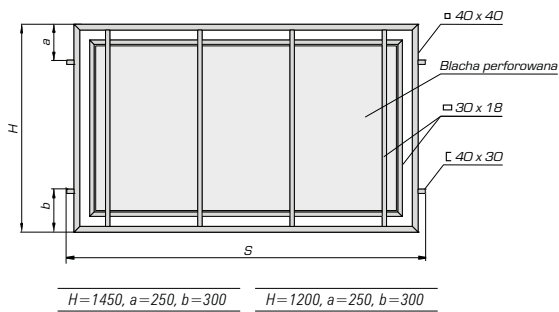
AW.10.101/P

(S) 2500 [mm] x (H) 900 [mm] - ... kg

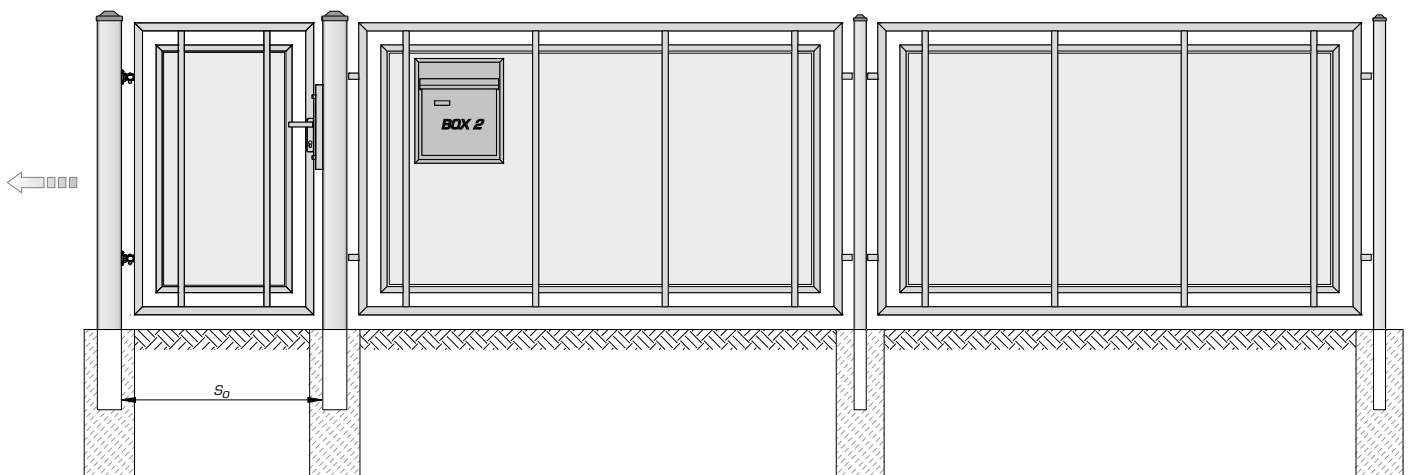
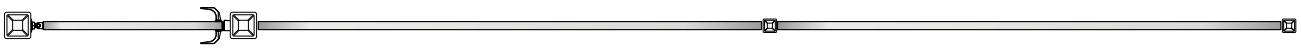
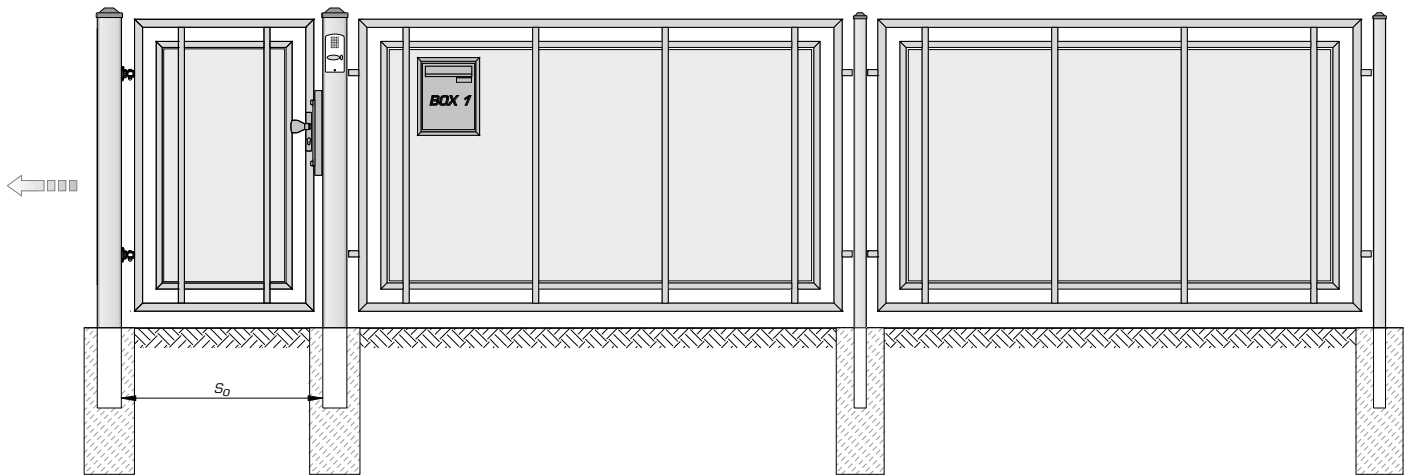
(S) 2500 [mm] x (H) 1450 [mm] - ... kg

(S) 2500 [mm] x (H) 1200 [mm] - ... kg

max: (S) 3000 [mm] x (H) 1750 [mm]

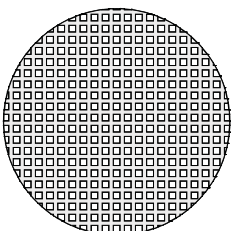
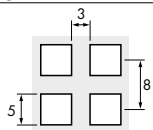


U1 **C** 40x40 **D** 30x18 **F** 30x18

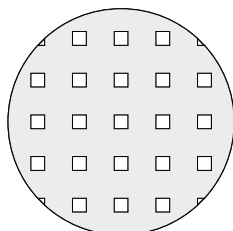
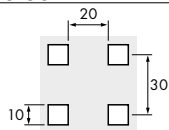


PL Blacha perforowana

Qg 5-8



Qg 10-30



Rv 5-8

