

AW.10.25/P

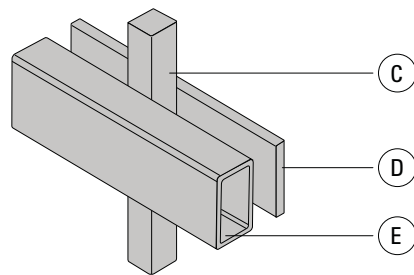
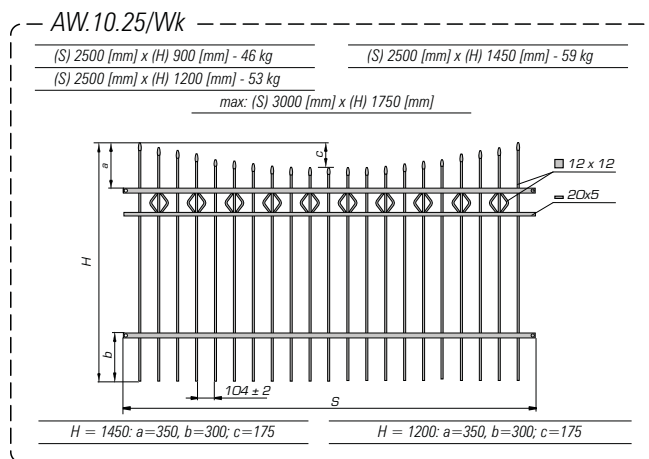
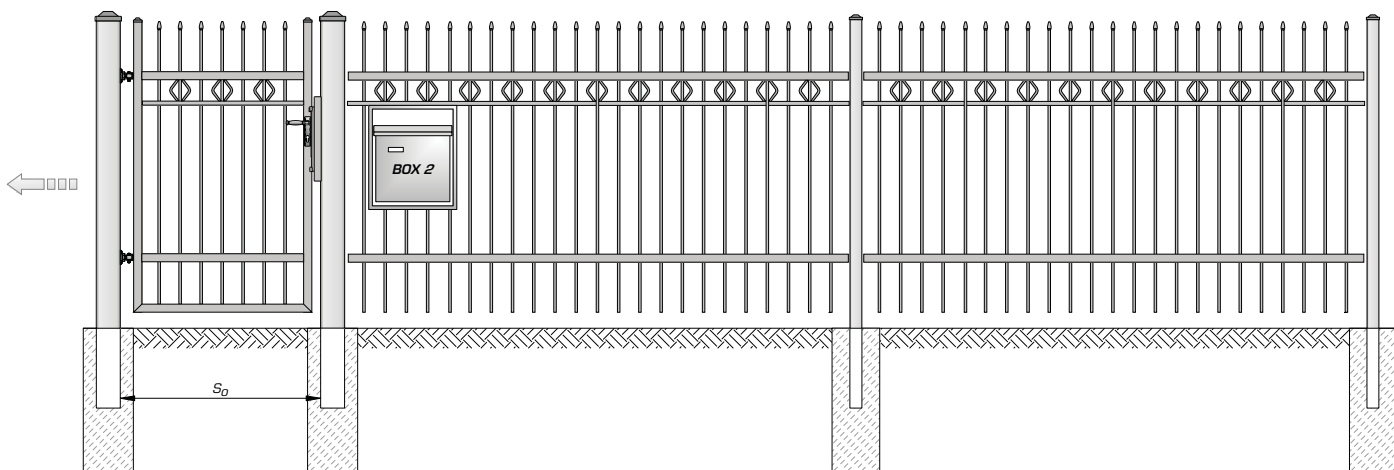
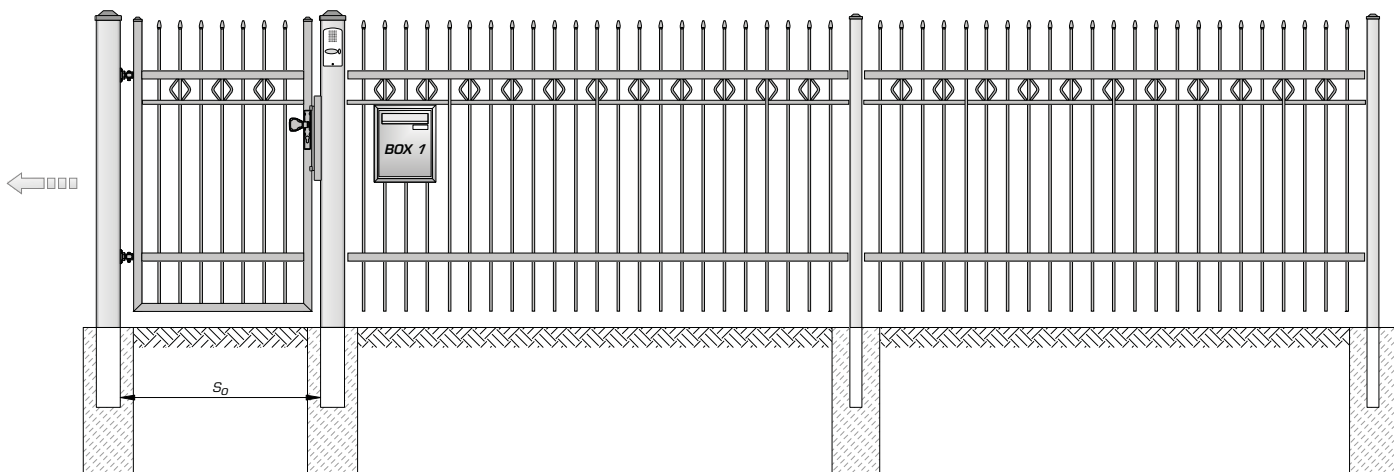
(S) 2500 [mm] x (H) 900 [mm] - 48 kg	(S) 2500 [mm] x (H) 1450 [mm] - 61 kg
(S) 2500 [mm] x (H) 1200 [mm] - 55 kg	
max: (S) 3000 [mm] x (H) 1750 [mm]	

$H = 1450: a=250, b=300$	$H = 1200: a=250, b=300$
--------------------------	--------------------------

AW.10.25/Wp

(S) 2500 [mm] x (H) 900 [mm] - 46 kg	(S) 2500 [mm] x (H) 1450 [mm] - 59 kg
(S) 2500 [mm] x (H) 1200 [mm] - 53 kg	
max: (S) 3000 [mm] x (H) 1750 [mm]	

$H = 1450: a=350, b=300; c=175$	$H = 1200: a=350, b=300; c=175$
---------------------------------	---------------------------------



U2 C 12x12 D 30x5 E 30x18