

LUXE-S

LUXE-SI

DC
MOTOR

For booms
up to 4 m

Opening time
2,2 s



800LUXE-S Dx/Sx

DC barrier for round or elliptical booms up to 4 m complete with built-in electronic control unit, 433,92 MHz rolling code radio receiver and battery charger. Painted steel cabinet. Boom, spring and boom fixing support to be ordered separately.

800LUXE-SI Dx/Sx

DC barrier for round or elliptical booms up to 4 m complete with built-in electronic control unit, 433,92 MHz rolling code radio receiver and battery charger. Stainless steel cabinet. Boom, spring and boom fixing support to be ordered separately.

Boom, spring and boom fixing support are mandatory accessories of the automatic barrier. See page 198,199,200



Accessories for LUXE-S series
Page 198



Further accessories:
Transmitters page 238
Photocells page 243
Flashing lights
page 246



AVAILABLE



MADE IN ITALY

FEATURES:

- residential/commercial use
- opening time 2,2 seconds
- steel cabinet protected by galvanic zinc coating and painted with epoxy powders
- optical encoder technology

PROS:

- intensive use
- fast opening and closing with programmable acceleration/deceleration ramps
- ideal for busy entrances and car parks
- it works even during power cuts thanks to the optional back-up battery kit
- possibility to install photocells and flashing lights directly on the barrier cabinet
- in accordance with EN 12453 standards
- auto-learning of the stroke through optical encoder
- electronic board positioned on the upper compartment for quick and easy access
- obstacle detection and crush prevention



SPEED OF INSTALLATION

The cabinet can be easily installed on the right or left side by turning a simple lever.



MANUAL RELEASE

Easy-to-operate manual release with key lock for the less skilled users.



ILLUMINATED CABINET (optional)

Led flashing light strip, integrated in the upper part of the barrier and combinable with the boom, to signal the movement. Also available in traffic light version (optional).

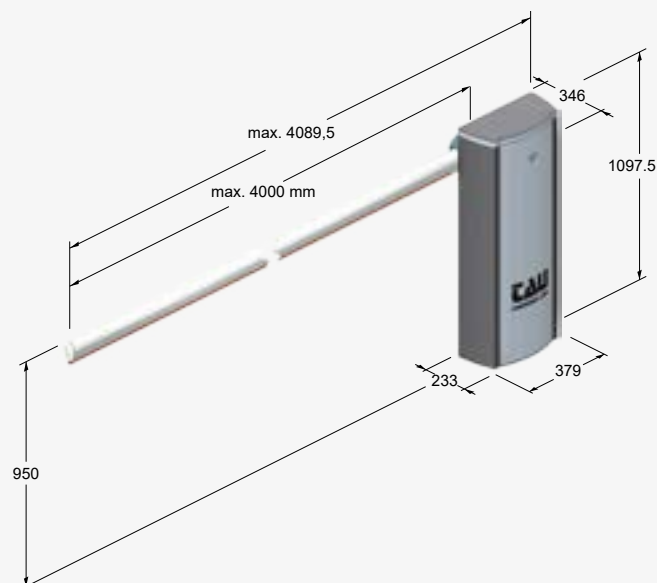


GEARS

A reduction of seven gears, entirely of carbon steel and aluminum bronze, guarantees absolute torque and resistance.

Technical features	LUXE-S / LUXE-SI
Power supply	230 V AC (50 - 60 Hz)
Motor power supply	18 V DC
Absorption	1 A
Power rating	250 W
Min. opening time 90°	2,2 s
Duty cycle	100 %
Operating temperature	-20° C ÷ +55° C
Degree of protection	IP 54
Max. width of passage clearance	3,7 m
Electronic control unit	K206MA
Endurance test	more than 1.000.000 opening and closing maneuvers

TECHNICAL DRAWINGS



LUXE-S ACCESSORIES

SPRINGS



M-060MGREENL
Spring wire Ø 4,2 mm, load 50 kg (light green)



M-060MGREEN
Spring wire Ø 5,2 mm, load 90 kg (green)



M-060MBLUE
Spring wire Ø 6,2 mm, load 155 kg (Blue)



M-060MRED
Spring wire Ø 7 mm, load 185 kg (red)



M-060MYELLOW
Spring wire Ø 9 mm, load 370 kg (yellow)

Springs for round booms

SPRING	A)	M-060MGREENL (ø 4,2 mm) Color: Light green RAL 6019	B)	M-060MGREEN (ø 5,2 mm) Color: Green RAL 6002		
	C)	M-060MBLUE (ø 6,2 mm) Color: Blue RAL 5003	D)*	M-060MRED (ø 7 mm) Color: Red RAL 3000		
BOOM AND ACCESSORIES		BOOM LENGTH				
		2 m	2,5 m	3 m	3,5 m	4 m
800AFI4 (LUXE-S) / 800ABT1 (LUXE-SE)		A	A	B	-	-
800AFI4 (LUXE-S) / 800ABT1 (LUXE-SE) + 800AT		-	-	B	C	D
800AFI4 + 800FPT2		-	-	-	C	C

The RBLO-E barrier is supplied as standard with the "B" spring (M-060MGREEN), suitable for booms up to 3 m. For different boom lengths or when further optionals are to be installed please order a different spring as per enclosed chart.

For boom lengths equal or greater than 3 m **it's mandatory to use** the ground boom support or the pendulum support.

Springs for elliptical booms

SPRING	A)	M-060MGREENL (ø 4,2 mm) Color: Light green RAL 6019	B)	M-060MGREEN (ø 5,2 mm) Color: Green RAL 6002	C)	M-060MBLUE (ø 6,2 mm) Color: Blue RAL 5003	
	D)*	M-060MRED (ø 7 mm) Color: Red RAL 3000	E)	M-060MYELLOW (ø 9 mm) Color: Yellow RAL 1004			
BOOM AND ACCESSORIES			BOOM LENGTH				
			2 m	2,5 m	3 m	3,5 m	4 m
800AE			A	B	-	-	
800AE + 800AT			A	B	C	D	D*
800AE + 800FPL			-	-	-	D*	D*
800AE + 800AT + 800LABTSE			-	-	E	E	E

* Eyelet in max. load position.

For different boom lengths or when further optionals are to be installed please order a different spring as per enclosed chart.

For boom lengths equal or greater than 3 m it's mandatory to use the ground boom support or the pendulum support.

NOTICE: FOR THE ELLIPTICAL BOOM IS REQUIRED THE RUBBER BEAD (800PG4 - 800PG8).

WARNING: it is not possible to mount the aluminium bottom skirt

ROUND BOOM ACCESSORIES



800ABT1
Anodized aluminium round section telescopic boom Ø 75 mm, 3 m, c/w adhesive refractor strips



800AFI3
3 m anodized aluminium Ø 70 mm round section boom with red adhesive refractor stripes



800SFA
Boom break-out system

800AFI4
Anodized aluminium round section boom Ø 70 mm, 4 m, complete with adhesive refractor strips



800RBLO-L041
Fixing support for Ø 75 mm round boom 800ABT. Plastic cover included



800FPT2
Pendulum boom support for round boom

800RBLO-L052
Fixing support for Ø 70 mm round boom 800AFI. Plastic cover included

ELLIPTICAL BOOM ACCESSORIES



800RBLO-L043
Elliptical boom fixing support for booms up to 4 m. Plastic cover included



800KSFA
Break-out system for elliptical boom max 3 m. (Not usable in the presence of: 800ATE/800ATR/800AT)



800LARG4*
LED flashing lights (red&green) for both sides of the boom. Single piece 8 m long. (Not applicable to LUXE-SE)



800AE2
Elliptical white painted aluminium boom, 2 m. Flashing LED lights and rubber bead to be ordered separately



800LA4
LED flashing lights for both sides of the boom. Single piece 8 m long

800AE3
Elliptical white painted aluminium boom, 3 m. Flashing LED lights and rubber bead to be ordered separately



800PG4
4 m rubber bead for elliptical boom



800AE4
Elliptical white painted aluminium boom, 4 m. Flashing LED lights and rubber bead to be ordered separately

800LABTSE
Joint for elliptical boom



800ATE
Boom support with electromagnet



800FPL
Pendulum boom support

* It is possible to programme its operation through T-WIFI + TauApp

ACCESSORIES

COMMON ACCESSORIES



800ATR
Adjustable boom support. Max. height 955 mm



800AT
Fixed boom support h 865 mm



800UL
Tri-lobed key release (to replace the existing release)



800CPLUXESM
Counterplate



900OPTIC
Set of infrared safety photocells, 12/24 V, surface mount, beam alignment adjustable up to 15°, up to 20 m range



900TOWERF
Photocell standard mounting post, painted aluminium, 49 cm, with removable cover for easy installation and photocell adjustment



900TOWERM
10 cm side photocells mounting post



300SA1
Magnetic loop detector



900T-COMM
Interface to connect two control units as Master/Slave



800LL
LED flashing lights for LUXE cabinet



K-030KITKB20
Battery cables kit (20 pcs) (LUXE-SE excluded)



200BATT
12 V back-up battery, 7,2 Ah with cable (LUXE-SE excluded)



250S-4RP
Four-channel transmitter, rolling code technology, 433,92 MHz



250T-WIFI
Device for Wi-Fi connection 2,4 GHz to allow the smartphone to remotely control and program the control units via TauApp



250T-CONNECT
Ethernet + Wi-Fi device - to enable through Tau Open application, the use of the smartphone remotely, to open/close and check the status of the gate



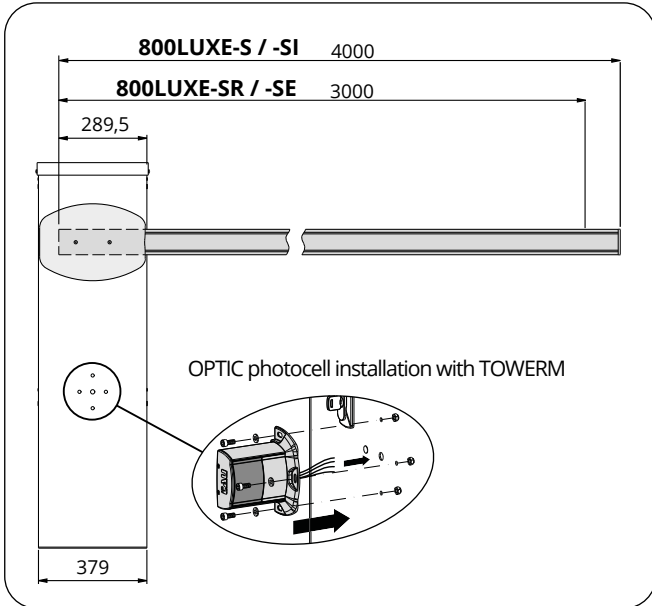
250SM126
Memory card for 126 radio codes

250SM254
Memory card for 254 radio codes

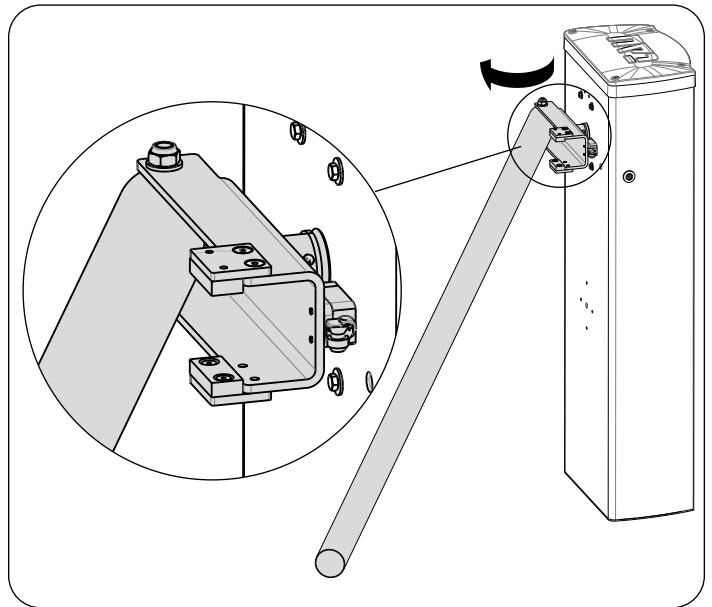
250SM1022
Memory card for 1022 radio codes

TECHNICAL DRAWINGS

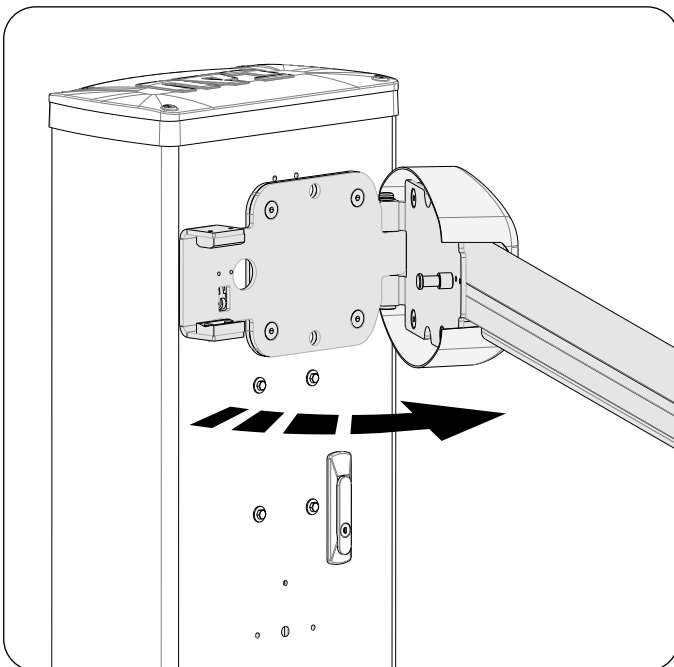
Boom length and clear opening



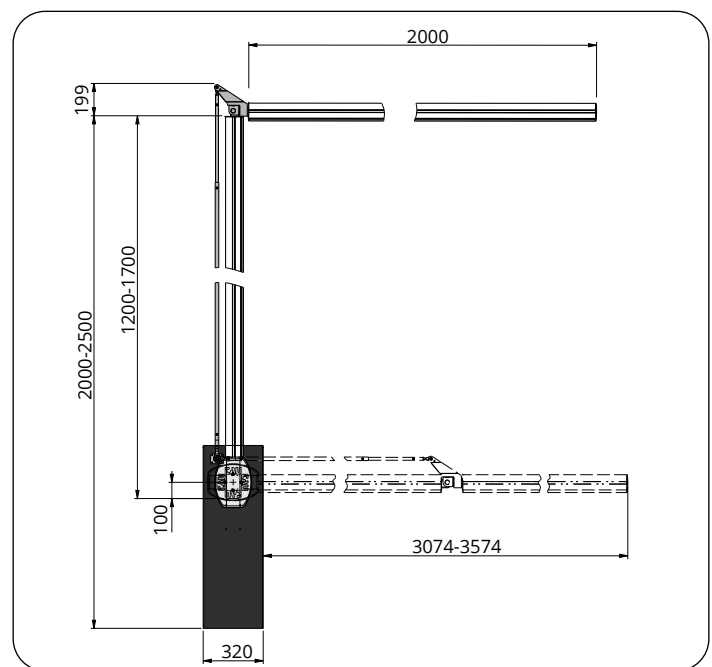
Breakout system for round boom (800SFA)



Breakout system for elliptical/round boom (800KSFA)



Articulated joint for elliptical boom



Use and maintenance manuals



LUXE-S



K206MA



K101M