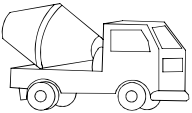


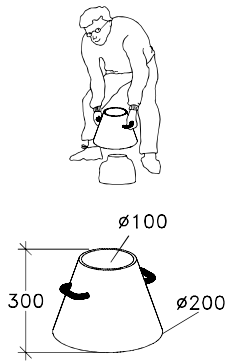
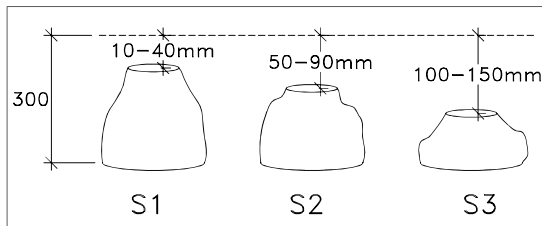
XxXh !



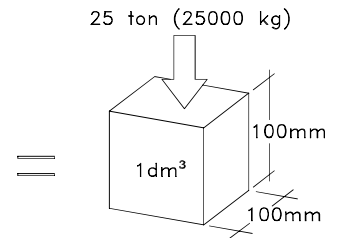
S1-S3  
>C20/25

101

S1-S3  
(EN 206-1)



≥C20/25  
(EN 206-1)



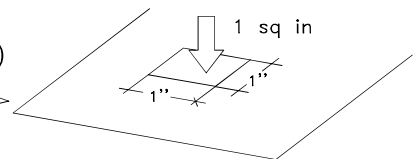
**HAGS** ANEBY, SWEDEN  
+46(0)380-47300  
www.hags.com


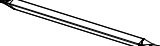
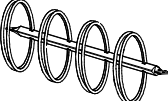
Concrete quality  
101  
1(1)

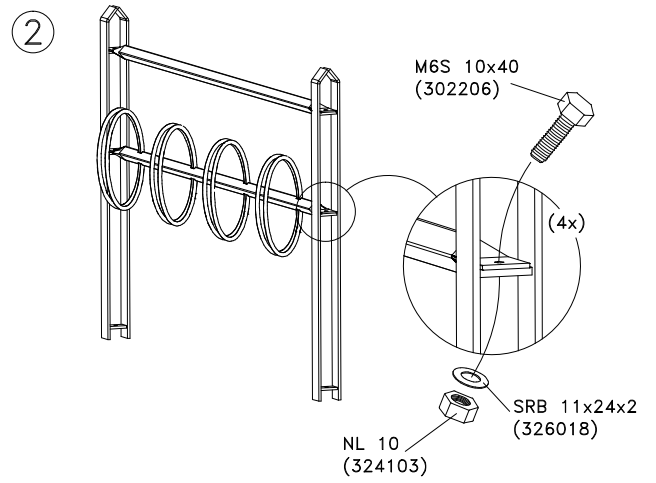
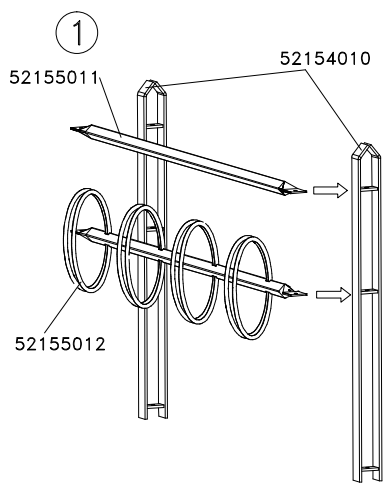
MN TJ 2008-02-08 | 1

(For US/CAN market)

2000 PSI (minimum)  
3000 PSI (minimum if freezing conditions)



TYPE	ART.NO
 1,30x0,10m	52154010 (2x)
 2,05x0,05m	52155011
 2,05x0,20m	52155012



**HAGS** ANEBY, SWEDEN  
+46(0)380-47300  
www.hags.com

521550

SB OG 2013-01-16 1

